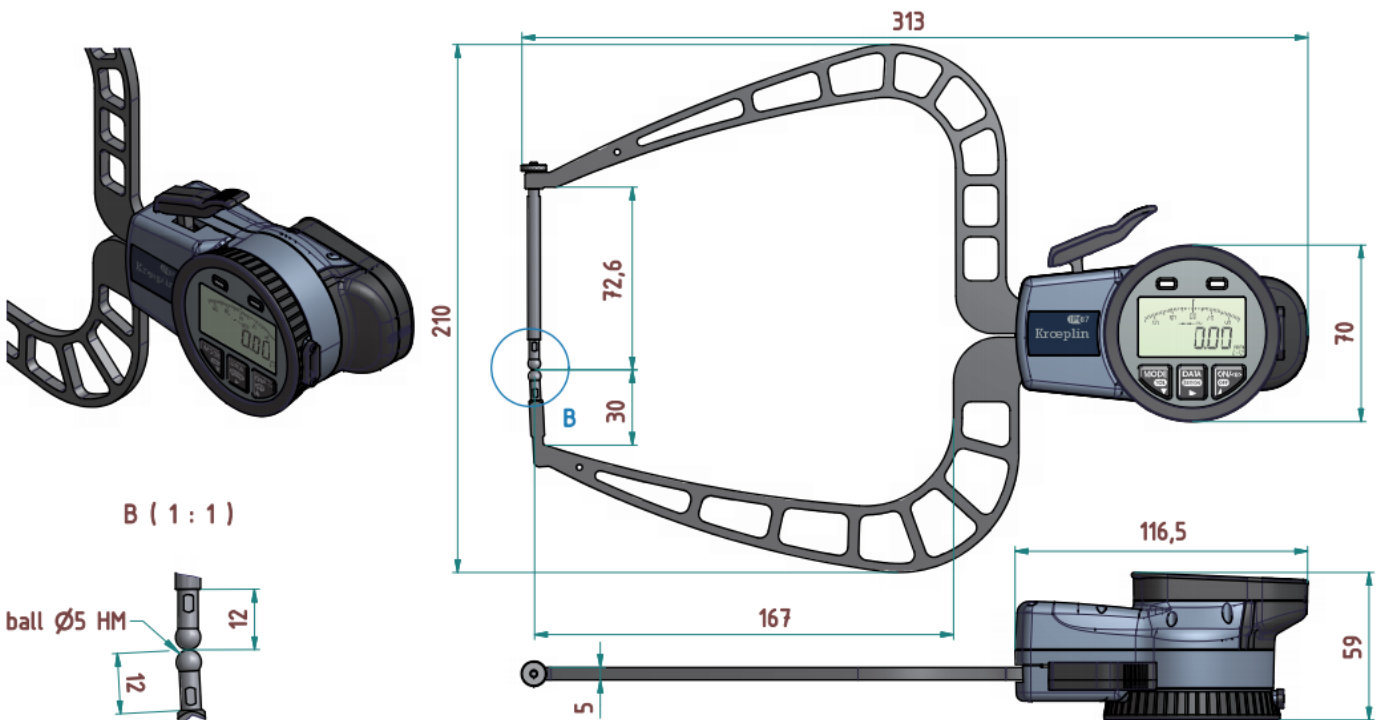
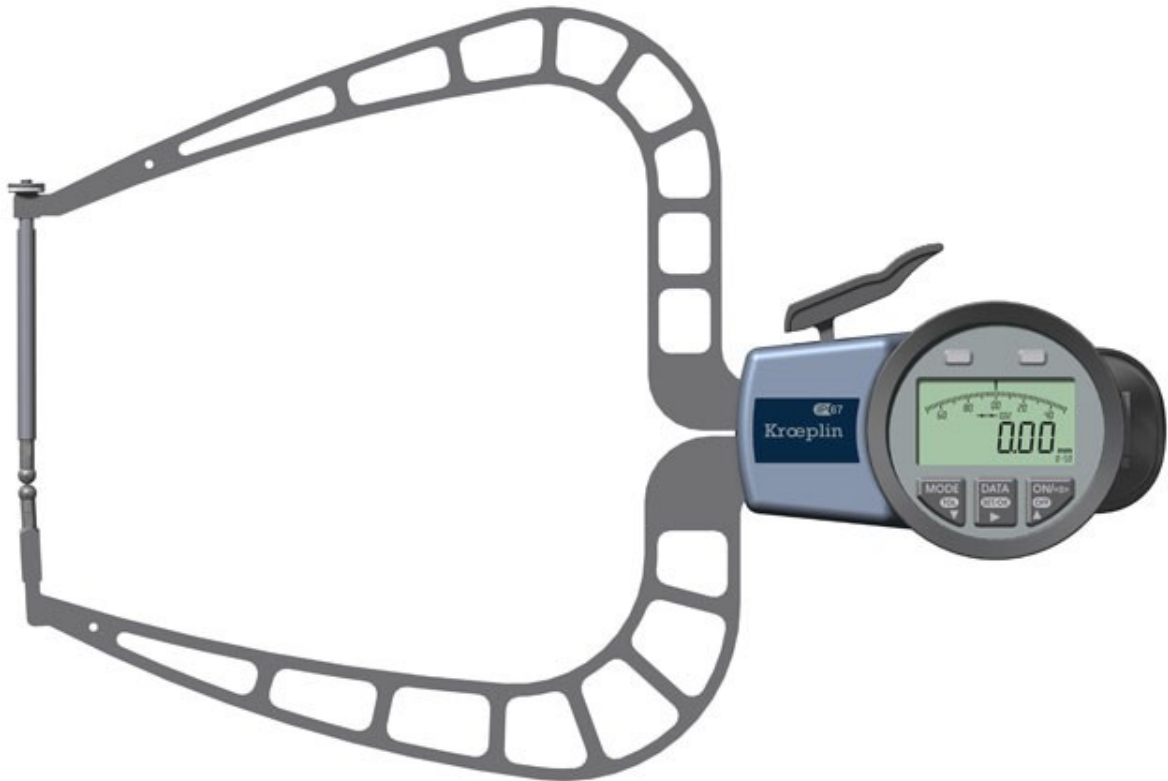




Kroeplin

Aparat de masurat grosime 0 ... 50mm, C450B



subject to technical alterations

Properties of the product

Type	C450B
Display MM / INCH	MM
Application	External measurement
Measuring span Mes	50 mm
Measuring range Meb	0 - 50 mm
Range of indication Azb	0 - 50,5 mm
Scale interval Skw	0,02 mm
Max. permissible errors G	0,08 mm
Repeatability limit r	0,06 mm
Measuring force min.	0,8 N
Measuring force max.	1,7 N
Type of measuring contact movable	HM-Ball \varnothing 3 mm
Measuring contact movable Hb	72,6 mm
Type of measuring contact fixed	HM-Ball \varnothing 3 mm
Measuring contact fixed Hf	30 mm
Measuring contact thickness max.	\varnothing 4 mm
Measuring depth max. L	169 mm
Weight	510 g
Reference temperature	20 °C
Operating temperature	10 - 30 °C
Storage temperature	-10 - 50 °C
Protection class	IP67

Interfaces

Interface adapter
1961-09

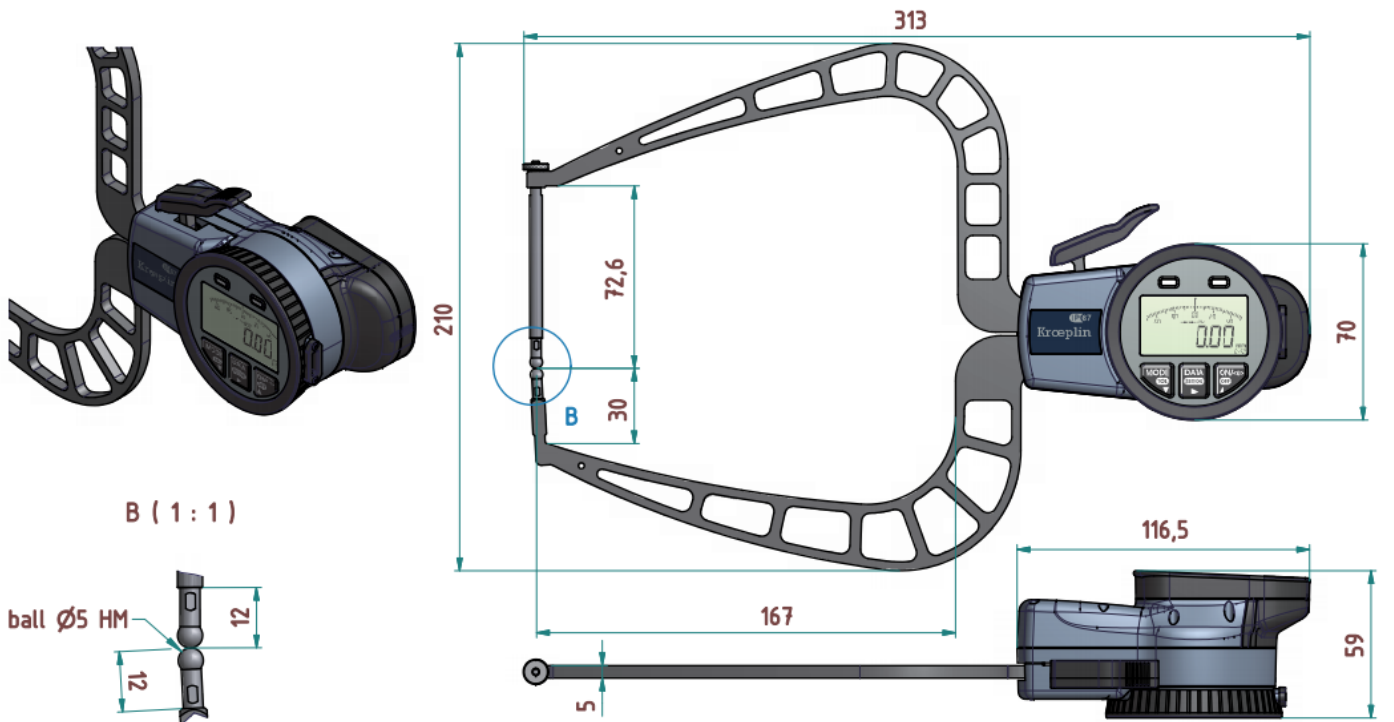
Data cable USB - V2.0
2482-05 -2 m

Data cable DIGIMATIC - V2.0
2482-07 -2 m

Data cable U-WAVE® - V2.0
2482-04 -160 mm

2482-01 Transmitter
2482-02 Receiver

Always specify serial number when ordering interfaces or accessories !



subject to technical alterations

NOTA: Aceasta fisa a fost realizata sub rezerva modificarilor ulterioare de ordin tehnic sau a erorilor de editare.

Fotografia are caracter informativ.

NOTE: Products and specifications are subject to change without prior notice .Pictures may differ from original.